

**PRODUCT CATALOG**

SPRING 2009

## ORDERING METHODS

You can place your PumpToys order in several ways-

- On the Internet via our secure website, [www.pumptoys.com](http://www.pumptoys.com)
- By phone with one of our knowledgeable staff at 1-866-345-3451
- Fax your credit card order to 1-866-345-3451
- By mail when paying by money order.

See instructions on order form for placing fax, mail, and email orders. Ordering through our website or by phone will ensure fastest service.

## SHIPPING

Orders normally ship within 24 hours, subject to item availability and/or custom services needed.

PumpToys standard domestic shipping is by USPS Priority Mail, providing 2-3 day service to most US destinations.

Optionally you may choose USPS Express Mail delivery service to expedite shipping time. Express Mail service often provides next-day delivery, however this is not guaranteed.

International orders are shipped via your choice of either USPS Express Mail International or First Class International, subject to service availability.

## RETURN POLICY

Due to the personal nature of our products, returns are generally restricted to unused, unopened items. Should you wish to return an item for any reason, please contact us by phone at 1-866-345-3451 or by sending email to [sales@pumptoys.com](mailto:sales@pumptoys.com) to obtain a return authorization **before** sending your purchase back.

---

### Contact information:

For any questions or to place an order, call us toll-free at  
866-345-3451

Email:

[bagman@pumptoys.com](mailto:bagman@pumptoys.com) or [dave@pumptoys.com](mailto:dave@pumptoys.com)

Website:

[www.pumptoys.com](http://www.pumptoys.com)

PumpToys and Vaculogic are divisions of  
Precision Seal Technologies.

## CONTENTS:

SECTION	PAGE
<b>A FEW BASICS OF PUMPING</b> .....	<b>1</b>
<b>SEALS</b> .....	<b>7</b>
<b>COMBINATION CYLINDERS</b> .....	<b>8</b>
<b>FITTING GUIDE</b> .....	<b>10</b>
<b>PENIS TUBES</b> .....	<b>11</b>
<b>SPECIALTY CYLINDERS</b> .....	<b>12</b>
<b>GLYDE LUBRICANT</b> .....	<b>13</b>
<b>QS 7 ELECTRONIC VACUUM SERVER</b> .....	<b>13</b>
<b>BALL TOYS</b> .....	<b>14</b>
<b>MANUAL PUMPS</b> .....	<b>15</b>
<b>STARTER KITS</b> .....	<b>16</b>
<b>TUBING &amp; CONNECTION SUPPLIES</b> .....	<b>17</b>
<b>SUN TEA JAR CONVERSION KITS</b> .....	<b>19</b>

# A FEW BASICS TO PUMPING

## 1. What it is and how it works:

Vacuum pumping is a mechanical process used to reduce the surrounding air pressure on an isolated part of the body (usually genitalia), causing that area to enlarge temporarily. It's done for many reasons, which include:

- Simple enjoyment of the feeling or look of the enlarged genitalia.
- Enhanced pleasure of intercourse with the resulting enlargement.
- As a part of a process to gain permanent enlargement in genitalia.
- Aid in achieving erection in persons with erectile dysfunction.
- As a therapeutic vascular exercise of the penile vascular structure.

What is “vacuum”, how does this work?

Vacuum is a term that refers to an absence of air, such as would exist in space. For our purpose, we are using a *partial vacuum*, meaning we remove part of the air in the closed space of the pumping cylinder. This creates a difference between the normal air pressure that is exerted on the entire body, and the lower air pressure inside the cylinder. Just as water seeks its own level where possible, pressures want to equalize. Because the body is mostly fluids and the two areas are connected by fluid passages inside the body, the difference in pressures push fluids towards the lower pressure area, causing the tissue there to engorge, or fill with fluids and swell. The wider the difference in pressures, the faster this occurs- with some important exceptions. The longer this condition is maintained, the greater the engorgement and enlargement.

Vacuum pumping works by first enclosing an area like the penis inside an airtight cylinder, made of acrylic plastic. The cylinder is coupled to a vacuum pump by a flexible tube. The pump extracts part of the air from the cylinder, lowering pressure inside that enclosure. Most pumps have a gauge that measures the partial vacuum level. The common way of expressing this is in inches of mercury, the same scale used for barometric pressure. While barometric pressure is expressed as the total air pressure surrounding you, in pumping we measure how much we have lowered the cylinder pressure from surrounding pressure. That states the difference; the amount of force being used to push fluids into the cylinder area. In our purpose, that force is usually around 5", of vacuum, equal to a little over 2 pounds pressure per square inch. The same pressure also holds the cylinder tightly against your body once vacuum is in place, thus you can disconnect from the pump and move around freely. The special valve on the cylinder seals instantly when the male part is removed, retaining the vacuum.

(continued)

Cylinders are made for pumping the penis only, or for pumping the penis and scrotum together as a package in the same cylinder. PumpToys will introduce the first cylinder ever designed to pump the scrotum only, in the spring of 2007. There are also many special application cylinders including devices for women, to enlarge nipples, entire breasts, the clitoris or complete vaginal area and more.

## **2. Safety**

Anyone interested in vacuum pumping should consider the safety of the practice. Like most things, it's quite safe if done properly, but entirely possible to injure yourself when done carelessly. Good judgment, attention to what's happening in the cylinder and listening to what your body is telling you are the essential tools. Cylinders are always made of optically clear plastics, so that the process inside can be easily monitored.

There is only one way to injure yourself while pumping. We are all familiar with what is called a "hickey". However most people don't realize that a hickey is a vacuum-induced injury, or *hematoma*. It appears as a bruise, because the pressure differential caused by oral suction caused capillary vessels under the skin to break and leak blood. It's possible to create a 15" vacuum by oral suction, and that is far more than needed to damage most tissues. In cylinder pumping, you are applying similar forces to all tissues enclosed in the cylinder, not just skin. However, you can both see and feel what is happening. Any sign of injury such as discoloration, blister effect or pain should tell you that your vacuum level is too high, and you should stop or correct it at once. Low vacuum levels and patience produce far better results than higher and hurried ones, and greatly diminish the risk of injury. You are the safety device. Pay attention, use moderation, and you will have good results.

## **3. Equipment: What you need**

Vacuum pumping is done with a system, not a single device. A complete system includes these 5 items:

- The cylinder used to enclose the body part. The cylinder is sold with the female side of the air coupler installed, and includes the mating seal if the cylinder is designed for one.
- The Vacuum pump or vacuum source.
- A tube used to connect the pump to the cylinder.
- A Male coupler. A fitting that inserts into the connecting tube that plugs into the female coupler on the cylinder.
- Lubricant, used to help the cylinder seal against your body and to eliminate skin friction so that the enclosed parts can slide over the cylinder wall as they enlarge.

(continued)

Generally, you will only use one cylinder at a time, so you may have several cylinders but will need only one vacuum pump. For this reason, pumps and cylinders are always sold separately. For beginners who need everything, there are packages called “Starter Kits” which bundle a complete system. This also means that the pump is a key part of your system, and you should understand the differences in pumping devices. There are four types of pumps, and two types of pumping that can be done with them.

### **About pumps:**

The two types of pumping are **Static Pumping** where the pressure is reached and then stays the same until you change it, and **Dynamic Pumping**, where the pressure is constantly changing according to a programmed schedule. Dynamic pumping is far more effective than static pumping. PumpToys invented the dynamic concept and the first and only fully programmable electronic pump, introduced in 2005.

- Manual pumps are operated by hand, usually by squeezing a grip lever. (static)
- Electric pumps are motor driven. (static)
- Electronic pumps are controlled in part by microchip regulators, and may be able to create alternating stages of pressure. (can be dynamic, but offers limited patterns and is repetitious)
- Programmable pumps operate with the support of a computer, where a program you create controls the pressures, rates of change and timing of changes automatically once started. The only pump that does this is PumpToys QS-7, and provides fully dynamic pumping without repetition, and can also provide static or alternating dynamic and static pumping in the same session. It's also the quietest pump available, and runs only when pressure increases are required by the program

It's important to understand that in better quality products, cylinders will be designed for a specific objective. They are also available in a range of sizes. When you select a cylinder, you should be considering what you expect it to do, and understand how to size it properly. There are a few rules that are fairly universal, particularly in tubes designed to pump the penis by itself.

### **Sizing-**

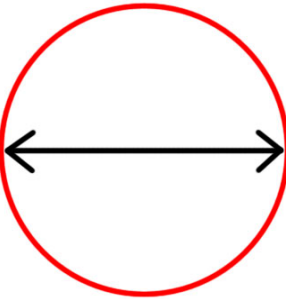
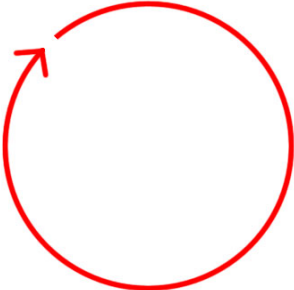
We recommend using a tube that is at least ¼” but not more than ½” more than your natural erect diameter. Why? You need some room for expansion, but over sizing the tube tends to create two problems. One, the extra void space around the base provides the opportunity for your testicles to be suddenly sucked up into the tube.

(continued)

This can be a painful experience. Two- the tissues along the penis are not all the same. Some engorge more quickly than others. If the tube is sized correctly, these “fast” tissues will reach the cylinder walls and then be restrained, while slower engorging tissues catch up. That results in even enlargement and stretching. If the tube is oversized, the appearance will be uneven, and the stretching unequal. Many people pump in stages, using step up tube sets. They pack the one they are in (fill it to the sides full shaft length) then move up to the next size tube, in the same session.

**Measuring-**

Penis tubes are sold based on their Inside Diameter, the width of the opening. The easiest way to find your diameter is to measure your circumference first. This is the distance around the penis shaft. Use a strip of paper, perhaps an inch wide. Wrap this around and back over itself, about midway on your shaft. Make a mark parallel to the penis shaft that appears on both ends of the paper at the point they cross. Then lay the paper out flat, and measure the distance between the marks. That will be your circumference. Now, divide the circumference by 3.14, or Pi. The answer will be your diameter. For example if your circumference is 5-1/2 inches (5.5”) your diameter would be 1.75”, and the proper tube would be a 2” or 2-1/4” model. Length matters too. There needs to be airspace remaining in the cylinder; it is like a cushion that moderates the vacuum effect. For example penis cylinders should be 1-3” longer than the length you expect to fill. Custom lengths are available in most cylinder types.

CONVERSION CHART				
DIAMETER			CIRCUMFERENCE	
	1.5”	=	4.71”	
	1.75”	=	5.49”	
	2.0”	=	6.28”	
	2.25”	=	7.06”	
	2.5”	=	7.85”	
	2.75”	=	8.63”	
	3.0”	=	9.42”	
	3.5”	=	10.99”	
	4.0”	=	12.56”	
	5.0”	=	15.70”	
6.0”	=	18.84”		

#### **4. Maintenance**

Obviously, taking care of the equipment is important. The most important issue is cleanliness. Handling and storage are also considerations in getting the most from your equipment.

For cylinders, couplers and hoses, this is a simple task accomplished with warm water and liquid dish soap. We do not recommend placing cylinders in dishwashers; hand washing is best. Be aware that acrylics are easier to scratch and damage than glass. Abrasive cleaners and contact with sharp or hard objects will damage the surface. Storage should be at reasonable temperature and not be in direct sun. Avoid lubricants that are petroleum based, as they deteriorate acrylics and some seals. This includes Vaseline type products, baby oil and many cosmetic products which list petroleum derivatives in their ingredients. PumpToys developed and manufactures the ideal pumping lubricant, called *Glyde*.

For cylinder seals and soft plastics, there are other considerations. All plastics are subject to a condition where minor damage to the surface integrity can trigger tears and result in more extensive damage. Thus in handling and use, you should avoid conditions where surface abrasions to the plastic may occur. Keep the seal and mating cylinder surface clean, and avoid actions that may be abrasive, such as rotating the cylinder in the seal.

For pumps, little maintenance is required unless you pull foreign matter up the vacuum line and into the pump. This could be lubricant, body perspiration or fluids, or water if wet pumping. For manual pumps, cleaning can be done by putting the hose into warm soapy water and slowly cycling the pump. Water will eject through the pump exhaust, so you need to hold it over a sink. Repeat with clean water to rinse. If the pump is made of metal, follow with a final rinse using isopropyl alcohol to remove the water.

Electric pumps can be damaged or clogged by lubricant or debris, and drawing in water can destroy them. It's important to prevent this kind of incident, and that is best done by putting a water trap in the line between the cylinder and pump to catch any such materials before they reach the pump. Water damage to pumps voids the warranty.

#### **5. Typical use**

Pumping is done in what is called a session just as exercise or other activities. What is done during the session is described as a "regimen". This term describes the pressures and timing used, for example- 20 minutes at 5", 2 minute break with massage, 10 minutes at 5".

(continued)

The nature of your sessions and regimen is something you must develop. There are great differences in tissues and conditions between people, and as a result a regimen that works well for one person may be unsuitable for another.

Beginners need to start somewhere, of course, and that should be with a moderate regimen, say 5" for 20 minutes. Experimentation and body response will tell you where to go from there. In particular, negative responses mean you should moderate your regimen or schedule, while a lack of them say you could try a more aggressive or extended one. Negative responses include pain and discomfort, signs of discoloration such as blue (lack of circulation) or red spots, or any visible condition which is not normal for you.

---

## **DISCLAIMER**

PumpToys DOES NOT recommend the practice of pumping, stretching or enlargement, or the use of any PumpToys product and takes no responsibility for the buyer's use of any PumpToys product for any purpose whatsoever. Such activity is the sole choice of individuals and done at their own risk. PumpToys has no control over the buyers' physical condition nor the application and usage of any PumpToys product, and therefore specifically states that such activity or use could be dangerous or hazardous. While PumpToys is not aware of any serious injury or medical problem associated with pumping or the aforesaid activities, this does not mean that such an issue does not exist now or will not be discovered in the future. PumpToys makes no representation as to the safety of pumping. NO WARRANTY or policy, either expressed or implied, as to the accuracy of information found on PumpToys' website nor the purpose and fitness of products sold by PumpToys is valid, other than the warranty and disclaimer policies stated here.

## **ACCEPTANCE OF RISK**

By using any product purchased from PumpToys, the buyer personally accepts this disclaimer and conditions of these policies, and accepts full responsibility for any risk that may exist or be encountered, known or unknown, and further agrees to hold the seller harmless in the event of any injury in any way related to the use of said product or associated practice, regardless of cause. If you do not agree to accept this risk, you should return the item unused and undamaged within 10 days, for a full refund of the product purchase price less shipping and handling charges.

## **GENERAL WARRANTY INFO**

PumpToys warrants to the original purchaser of products manufactured by PumpToys as follows: PumpToys products which develop material or manufacturing defects within 180 days (six months) from the date of shipping of the original purchase will be repaired, or replaced at PumpToy's option, without charge. PumpToys will be the sole authority in the determination of the source of a defect and the eligibility for warranty coverage. Damage caused by abuse, improper maintenance, storage or accidental damage are not covered by this warranty. Shipping costs are the responsibility of the buyer. No incidental or related costs not specifically listed herein are covered by this warranty and are the responsibility of the buyer. Products sold by but not manufactured by PumpToys ARE NOT covered by this warranty; they are covered by the original manufacturer's warranty which may be different.

# SEALS

---

## STJ STANDARD VINYL SEAL



The injection-molded STJ Precision Seal fits the common STJ and all PumpToy's combination cylinders. It will also fit other straight-rim cylinders where the rim is 1/4" or less in thickness, with openings from 3-3/4" to 4". If you have questions about fitting- please inquire before ordering! Petrochemical based lubricants are not compatible with Precision seals; we recommend only GLYDE, a natural vegetable based lube designed specifically for pumping be used with our seals.

#STJ ..... \$30.00

---

## STJ PREMIUM SILICONE SEAL



Made from 100% lab-grade silicone, the STJS seal has several advantages:

- Retains softness indefinitely.
- The inert silicone is compatible with any lubricant.
- Not adversely affected by plastics or cleaners.
- Maintenance is simple, just clean and store flat.
- Hypoallergenic.
- High elongation, easy to remove over extra-large pumps.

#STJS..... \$75.00

---

## MT3 VINYL SEAL



Designed for reverse flanged type cylinders with openings of 3 to 3-1/2". Monstertube owners, this seal works beautifully for the MT's; fits both the Junior and the Standard.

#MT3..... \$35.00

# COMBINATION CYLINDERS

---

## LONGJOHNNY



Our famous straight custom tube. This combination cylinder is a Pro machine for the guys who want an overall stretch and "full package" look. It's powerful, comfortable and easy to use!

Standard Size: 9" X 4.00" ID  
Complete with seal & coupler.

- #LJC - with STJ seal ..... \$135.95
- #LJCS - with STJ Silicone seal (shown) ..... \$180.95

Custom shorter lengths 7"– 8½" add \$10.00 surcharge  
Custom longer lengths 9½"-12" add \$30.00 surcharge

---

## ASTJ (Acrylic Sun Tea Jar)



A BIG combination FAST-BUILDING cylinder, similar in ease of exit and volume to a glass STJ, but made of safe cell-cast acrylic and PVC. It's a big cylinder- 56% larger volume than the LongJohnny!

Std. Internal Size: 9" X 5" ID tapering to 4" ID at entry.  
Complete with seal & coupler.

- #ASTJ - with STJ seal ..... \$224.95
  - #ASTJS - with STJ Silicone seal (shown) ..... \$269.95
  - Custom shorter lengths 7"- 8½" add \$30.00 surcharge
  - Longer lengths .....Contact us for price & availability
- 

## BULLMASTER THE ULTIMATE PUMPING MACHINE!



The now famous BullMaster Cylinder is the only CONTOURED, SHAPING combination cylinder made anywhere! Special configuration and seal provides a long, fabulous hanging shape. 5-1/2" wide X 5" high including pocket contours. 4.00" ID entry.

Available in choice of lengths between 7" and 9"  
(See Fitting Guide on page 10)

Complete with seal & coupler.

- #BMC - with STJ seal (shown) ..... \$249.95
  - #BMCS - with STJ Silicone Seal ..... \$294.95
-

# MAGNUM

# FOR THE REALLY BIG BULLS!



Wider, deeper, and longer pockets! BIG brother to the BullMaster, the Magnum's special configuration and seal provides a long, fabulous hanging shape. *The ultimate pumping machine, in Magnum size!* 6-1/2" wide X 5" high including pocket contours. 4.00" ID entry.

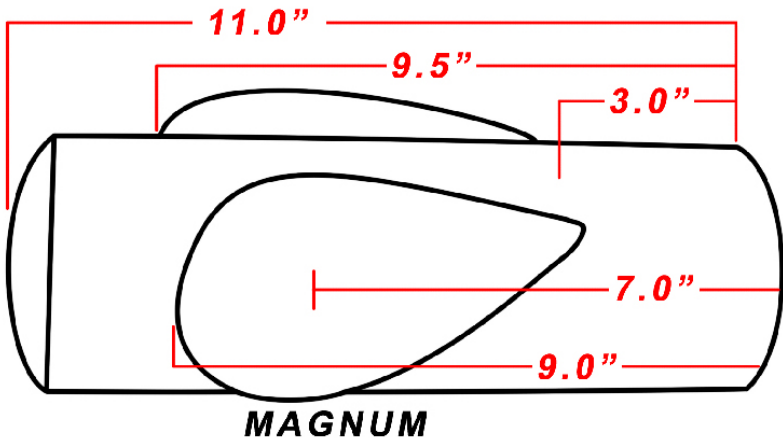
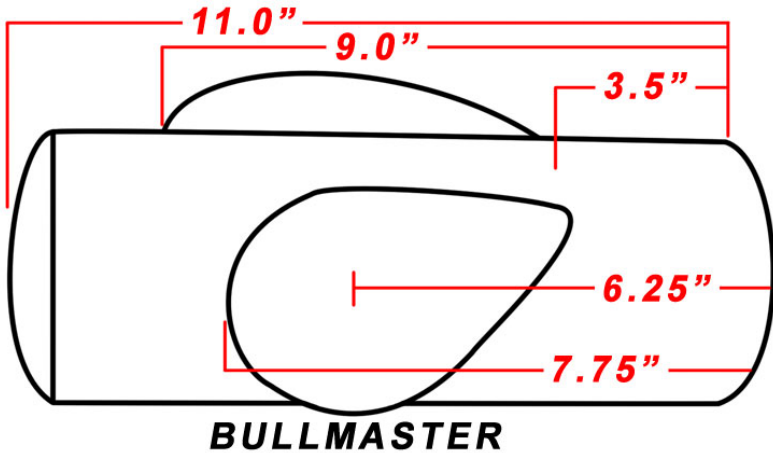
In lengths between 7 1/2" and 9 1/2" (See Fitting Guide)

Complete with seal & coupler.

#BMMC - with STJ seal (shown) ..... \$249.95

#BMMCS - with STJ Silicone seal ..... \$294.95

## MAX. BULLMASTER / MAGNUM DIMENSIONS



## **FITTING GUIDE**

The Cylinder size you order should be based on TWO primary dimensions and your personal preferences. These dimensions are the length of the penis pocket, and the length to the center of the testicle or ball pocket contours. The objects are to keep the penis contour equal to your length or longer, while getting the cylinder short enough that your testicles will center in the ball contour pockets.

### **HOW PENIS SIZE SHOULD BE USED:**

Usually, the recommendation for sizing based on penis length is to order 1" more than your normal erect length- a 6" user would order a 7" cylinder. If the testicle fitting works well at that length, it would be the right choice. If you wish to be more liberal, the size could be 1-1/2" more, or a 7-1/2" cylinder for the same user.

### **HOW TESTICLE LENGTH SHOULD BE USED:**

Ideally, the testicles would be centered in the testicle contours in the maximum pumped state, or slightly short of that point to encourage stretch. If your testicles don't reach the pockets, the cylinder will not be able to work properly. Thus, testicle dimension is more important than penis pocket dimensions. However, it's much harder to measure your testicle hang than your penis length.

Note that all measurements shown are to the hard rim of the entry and do not include the seal thickness, which typically adds about 1/2".

## **BULLMASTER SIZING**

Order sizes shown are based on the internal "Length from hard rim to end of penis contour". Ideal length range is 1" to 1-1/2" over your erect length. You should also look at the relationship for the scrotum bulge: The center of Ball Pocket bulge will be 3" less than the tube's order size. If you order a 7" tube, the *center* of the ball pockets will be 4-1/4" from the hard rim of the cylinder. If you order a 9" tube, the center will be at 6-1/4".

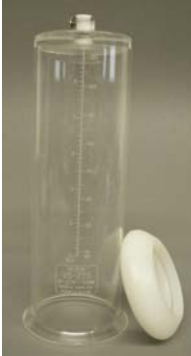
## **MAGNUM SIZING**

Order sizes shown are based on the internal "Length from hard rim to end of penis contour". Ideal length range is 1" to 1-1/2" over your erect length. You should also look at the relationship for the scrotum bulge: The center of Ball Pocket bulge will be 2-1/2" less than the tube's order size. If you order a 7-1/2" tube, the *center* of the ball pockets will be 5" from the hard rim of the cylinder. If you order a 9-1/2" tube, the center will be at 7".

# PENIS TUBES

---

## VELSEAL



THE ULTIMATE TUBE! Comfort is built in- Our unique tubes feature a Silicone "Velvet Seal" entry. Laser engraved size & dimension scale! 6 sizes, from 1-1/2" up to 2-3/4". Velseal tubes are also sold in sets for enlargement regimens.

(See Conversion Chart on page 4 for sizing help)  
Standard diameter sizes available are (in inches):  
1.50 - 1.75 - 2.00 - 2.25 - 2.50 - 2.75 - 3.0

Part # VS (+ Size) .....\$99.95

Call or email for price/availability of special dia. sizes.

---

## VELSEAL TUBE SETS



Buy a Velseal Cylinder Set & save!  
A Velseal cylinder set includes either 3, 4 or 5 tubes in your choice of sizes.

All come complete with silicone entry seal and female coupler.

Specify desired tube sizes when ordering.

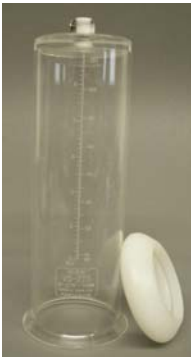
Part # VELSET3 - A set of 3 Velseal Cylinders ..... \$269.95

Part # VELSET4 - A set of 4 Velseal Cylinders ..... \$359.95

Part # VELSET5 - A set of 5 Velseal Cylinders ..... \$449.95

---

## CUSTOM LENGTH VELSEAL TUBES



Custom length Velseal Tubes are available too! For those working seriously on enlargement, the standard 9" sometimes isn't enough. Shorter too, for special applications!

Standard diameter sizes available are (in inches):  
1.50 - 1.75 - 2.00 - 2.25 - 2.50 - 2.75 - 3.0

Specify desired diameter & length when ordering.

# VELCS - Custom Cylinder Short (Under 9")..\$109.95

# VELCL - Custom Cylinder Long (Over 9")....\$129.95

---

# SPECIALTY CYLINDERS

## BALLS ONLY CYLINDER

**NEW ITEM!!!**

**COMING SOON!**

PumpToys has been hard at work refining the design for this exciting new cylinder.

Now expected to be in production for release approx. mid-spring 2009

## GUMDROP NIPPLE CYLINDERS



Light and low profile with a very solid grip, Gumdrop Cylinders enclose not only the nipple but also the surrounding areola! Designed for use by both men and women.

Pair of cylinders comes complete as shown with mini tube, squeeze clip, Y-connector and quick disconnect female coupling.

#GDNC .....\$79.95

## VENUS V-CUP - FOR THE LADIES!



A contoured edge wrapped in a soft, silicone seal makes the V-Cup vaginal enhancer comfortable and easy to use.

Complete with a standard quick disconnect female coupler on a 24" silicone mini-tube leader.

#VCUP .....\$79.95

# LUBRICANT

## GLYDE PUMPING LUBE AND SHIELD



The all-around Lube you will LOVE!

A PumpToys exclusive, Glyde is THE ONLY lubricant specifically designed for pumping! Safe for seals and tubes! This stuff does much more than lubricate- It reduces saturation, protects skin and accelerates build. Sold in 8 oz. and 16 oz. jars.

#GLY8 - 8 oz. jar..... \$7.99  
 #GLY16 -16 oz jar..... \$14.49

# QS-7 ELECTRONIC VACUUM SERVER

## DYNAMIC PUMPING HAS ARRIVED!



- Programmable when connected to your Windows PC/Notebook via USB
- Fully tech supported
- User-customizable profiles
- 12V DC- Safe & Mobile!
- Low noise operation
- Includes cables, tubing & QuickSilver controller software

### MEET THE WORLD'S FIRST PROGRAMMABLE ELECTRONIC VACUUM SERVER!

This remarkable equipment is not an "electric pump" as you know them today. This system merges with your computer, and gives you the ability to control the vacuum level *and the timing and rate of changes* on a continuous basis. You can now program your vacuum like you would music sequences on your ipod or CD player- in a constantly changing profile of pressures, ramp times and hold times that you create and call as you wish. Use manually, too! The era of static pumping has ended!

Kit includes QS7 Server, 12V DC wall adapter, 6' USB cable, 10' vacuum line with male couplers, software & instructional CD, user manual.

Part # QS7 ..... \$569.95  
 Part # QSWT (QS7 kit plus Vaculogic 4oz. water trap) ..... \$614.95

# BALL TOYS

## BRK BALL RINGER KITS



Used to promote “Low-Hanger” balls, PumpToys Ball Ringer Kits improve comfort by use of smooth, oversized metal rings stacked as desired, with our soft nut collar worn at the base of the ring stack (above the testicles) as a cushioning retainer.

Collars available in 4 sizes (ID): 1-1/4” - 1-3/8” – 1-1/2” – 1-5/8”

1-1/4” & 1-3/8” kits include 8- 1-3/4” ID metal rings,  
1-1/2” & 1-5/8” kits come with 8- 2” ID metal rings.

Part# BRK (specify collar size)..... \$31.95

## BRASS FINISH METAL RING SETS



Our metal rings are S-M-O-O-T-H .....

- No joints
- No welds

Part# RSRB 4- 1-3/4” ID rings..... \$12.00

Part# RSRS 4- 2” ID rings..... \$12.00

## FLEX RINGS - How many ways can *you* use them?



Made from our soft elastic seal material, Flex rings are 1/2”- 5/8” thick and available in 3 ID sizes: 1-1/4” – 1-1/2” – 1-3/4”

Specify sizes when ordering. Mix-N-Match!

Part# FLEX1- single flex ring.....\$7.50

Part# FLEX4- set of 4 flex rings.....\$26.95

## NEW SILICONE FLEX RINGS!



Made from 100% silicone, Flex rings are 1/2”- 5/8” thick and available in 3 ID sizes: 1-1/4” – 1-1/2” – 1-3/4”

Specify sizes when ordering. Mix-N-Match!

Part# FLEX1S- single flex ring.....\$19.95

Part# FLEX4S- set of 4 flex rings.....\$74.95

# MANUAL VACUUM PUMPS

NOTE- pumps do not come with vacuum hoses or male couplers. A complete system requires a Pump, a Cylinder, A Vacuum hose, a Male coupler, and Lubricant. See our starter kits on the next page to purchase pumps as part of a complete system.

---

## MITY-VAC PLASTIC-BODY HAND PUMP



This is the utility or home-user version of the pump. The advantage for pumpers is total corrosion resistance. The disadvantage is that the plastic handles can fatigue and break at the pivot point if used to pump large volumes of air. Because of this potential, we do not recommend use of this pump with larger volume cylinders.

#MVAC1..... \$35.00

---

## MITY-VAC '09 SILVERLINE METAL-BODY HAND PUMP



Mity-Vac's newly redesigned comm'l version. The pumping advantage is tougher construction; the handle will not break in heavy use. The disadvantage is the potential for corrosion if you do not clean out any water or water-based material that is drawn into the body. Heavy-duty gauge rotates 360° for easy viewing. New, sleek handle style. Also creates pressure to 30 psi.

#MVAC2..... \$99.95

---

## GENERAL BRASS HAND PUMP



This pump offers brass body construction and corrosion resistance at a value price! The General Brass pump is durable and efficient as well as a great value. It has a built-in vacuum gauge, a quick vacuum release point, uses normal 1/4" ID vacuum line and has easy one-hand lever operation.

#GBVP..... \$48.95

# STARTER KITS

Each Starter Kit comes with a hand vacuum pump, a tub of Glyde Lubricant, and a 3' vacuum line with the connector installed. To order a starter kit at the discounted price, **you must order a cylinder at the same time.** Only one starter kit may be ordered per customer.

## MITY-VAC PLASTIC STARTER KIT



The Budget Kit: Includes the MVAC-1 plastic hand pump with gauge, an 8 oz. jar of Glyde Lubricant, SDI.18 male connector and vacuum line; a \$52.95 value if purchased separately.

#STRK1..... \$42.95  
 Without cylinder purchase-  
 #AK1.....\$52.95

## MITY-VAC SILVERLINE STARTER KIT



The Deluxe Kit: Includes the MVAC-2 metal hand pump with gauge, 16 oz. jar of Glyde Lubricant, SDI.18 male connector and vacuum line; a \$97.44 value if purchased separately.

#STRK2..... \$109.95  
 Without cylinder purchase-  
 #AK2.....\$124.44

## GENERAL BRASS STARTER KIT



The General Brass Kit: Includes the General Brass body metal hand pump with gauge, an 8 oz. jar of Glyde Lubricant, SDI.18 male connector and vacuum line; a \$66.90 value if purchased separately.

#STRK3..... \$58.95  
 Without cylinder purchase-  
 #AK3.....\$66.90

# VAC LINE – FITTINGS – ACCESSORIES

---

## FEMALE QUICK-DISCONNECT COUPLING



PumpToys standard quick-disconnect female coupler fits 1/8" NPT threading in the cylinder. This is the coupler design used by virtually all makers of pumps and cylinders. All PumpToys products use this coupler; thus all our products are compatible with your other brand cylinders and pumps.

#SDB.18 Cylinder (female) coupling.....\$8.50

---

## MALE QUICK-DISCONNECT COUPLING



PumpToys standard quick-disconnect male coupler fits into 1/4" ID vacuum line. This is the coupler design used by virtually all makers of pumps and cylinders. All PumpToys products use this coupler; thus all our products are compatible with your other brand cylinders and pumps.

#SDI.18 Vac line (male) coupling.....\$8.50

---

## MALE QUICK-DISCONNECT 90° ELBOW COUPLING



For use with 1/4" I.D. vinyl vacuum line. The 90° elbow male coupling is used as an alternative to the standard SDI.18 wherever a tight turn is needed to prevent line kinks or as desired to save room.

#SDEL.18 Male 90° elbow coupling.... \$12.75

---

## WYE 3-WAY CONNECTOR FOR 1/4" I.D. TUBING



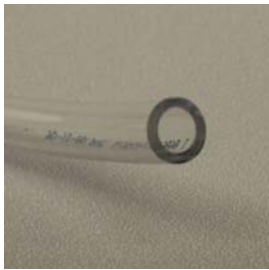
This heavy-duty barbed WYE connector lets you attach multiple cylinders to a single vacuum source. A great way to share the fun with your partner!

#WYE14..... \$9.75

# FITTINGS & ACCESSORIES CONTINUED

---

## 1/4" ID CLEAR VINYL VACUUM LINE



3/8" OD X 1/4" ID clear vinyl vacuum line.

*Tube is sold by the foot. Quantity of "1" is only one foot long!! When ordering, enter a quantity for the number of feet desired.*

#TUBE14 (per foot)..... \$0.50

---

## IN-LINE WATER TRAP

### -A must for electric pumps-



The Water Trap comes with a choice of 4 oz. or 8 oz. storage jars. Small is better for Dynamic Pumping because it keeps air volume low. Large is better where the risk of flooding is greater.

Specify jar size when ordering.

#VWT..... \$47.95

---

# CONVERSION KITS

The kits that lets you build your own!

---

## THE STJ CONVERSION KIT



If you can turn a nut, you can convert a Sun Tea Jar to a two-stage pump in ONE MINUTE with this kit! Includes valve modification with a standard quick-disconnect installed and our original PumpToys' Precision Seal.

(Not for use with petroleum-based lubricants)

#STJC Original Conversion Kit .....\$55.00

---

## STJ CONVERSION KIT- SILICONE UPGRADE



This is the same as our original kit, but with the 100% Silicone Precision Seal. Highly durable, hypo-allergenic and compatible with any lubricant.

#STJC-S Silicone STJ Conv. Kit .....\$99.95

---

## CONVERSION KIT W/ PUMP



Don't have a pump? This kit and the silicone upgrade below include a MVAC1 pump and 3' vac line, making them totally complete except for the jar!

#STJCP STJ Conv. Kit w/ pump ..... \$89.50

---

## SILICONE CONVERSION KIT W/ PUMP



All you need is the jar! This kit comes complete with MVAC1 pump, 3' of vac line, set of male & female couplers, modified jar insert, and the silicone upgrade STJ Precision Seal.

#STJCP-S Silicone Conv. Kit w/pump \$134.50



Doc #CAT1 Revision 9.00 04-02-2009

© 2009, PumpToys Division of PST All rights reserved